

solo[®]

582 / 582SM

Instruction manual
Original instructions

Lawn Mowers

Important!

Read this instruction manual carefully before first operation and strictly observe the safety regulations!



Instruction manual

Original instructions



Preface

Dear Customer,

Congratulations for choosing this SOLO quality product.

The lawn mower is a high performance mower that will contribute to a well-cared for lawn.



The owners manual comes with the appropriate engine owners manual which is an integral part of this owners manual.

Please read the owners manual carefully and familiarize yourself with the correct use of the SOLO lawn mower prior to operating the lawn mower for the first time. Please observe all instructions, recommendations and explanations. Adherence to the owners manual is essential for proper operation of the lawn mower. Do not operate the lawn mower while other persons, especially children or animals are within close proximity. The operator of the lawn mower is responsible for any personal or property damages to third parties.

EC declaration of conformity → The EC declaration of conformity on a separate piece of paper forms part of these operating instructions.

Packaging and disposal

Please keep the original packaging in order to protect the equipment against transport damage in case you ever need to ship it or transport it. If the packaging materials are no longer required then they must be disposed of properly in accordance with applicable local regulations. Cardboard packaging materials are raw materials which can be recycled or reused.

At the end of the equipment's service life, please make sure that you dispose of it properly, in accordance with the official directives and regulations that apply in your area

Symbols

The following symbols are used in this manual and on the product:



Always handle this power tool with particular care



Read these operating instructions and those appertaining the motor, carefully, before initial start-up and all maintenance or cleaning work



Wear protective gloves when servicing and for repair



Wear protective head gear



Pay particular attention when handling fuel



Never smoke near the power tool or where the equipment is refuelled!



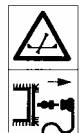
Keep open flames away from the power tool and the fuel can



Observe mowing hours



Do not allow third parties within the danger zone



Detach spark plug wire prior to working on cutting device;



Stop engine



Do not spray the mower with high pressure cleaning hose



Never place the lawnmower on its side

In the best interest of continued technological progress we reserve the right to change the design and configuration of any product without prior notice.

For that reason, no claims can be accepted with reference to text and illustrations in this manual

Index

	Page
1. Type plate	3
2. Standard delivery	4
3. Control and function elements	4
4. Technical data	6
5. Accessoires	6
6. Safty guidelines	7
6.1 <i>Correct use</i>	7
6.2 <i>General safety instructions</i>	7
6.3 <i>Fuel and fuelling</i>	7
6.4 <i>Prior to Mowing</i>	8
6.5 <i>During Start-up</i>	8
6.6 <i>Handling</i>	8
6.7 <i>Service and Storage</i>	9
7. Preparing the equipment for use	10
7.1 <i>Assembly</i>	10
7.2 <i>Grass Catching Device</i>	10
7.3 <i>Adjusting cutting height</i>	11
7.4 <i>Engine</i>	11
8. Starting / Stopping the engine	11
8.1 <i>Starting</i>	11
8.2 <i>Shutting off engine</i>	11
9. Mowing hints	12
9.1 <i>Mowing with Grass catching device</i>	12
9.2 <i>Lawn Care</i>	12
10. Maintenance and Care	13
10.1 <i>Cleaning the Mower</i>	13
10.2 <i>Wheel axles and wheel hubs</i>	13
10.3 <i>Height adjustment</i>	13
10.4 <i>Air filter Maintenance</i>	13
10.5 <i>Mowing Blade</i>	14
10.6 <i>Oil level check</i>	15
11. Parts subject to wear and tear	15
12. Guarantee	15

1. Type plate

- a: Type designation
b: Serial number
c: Build year (07 → 2007)
d: Max. speed (operating)

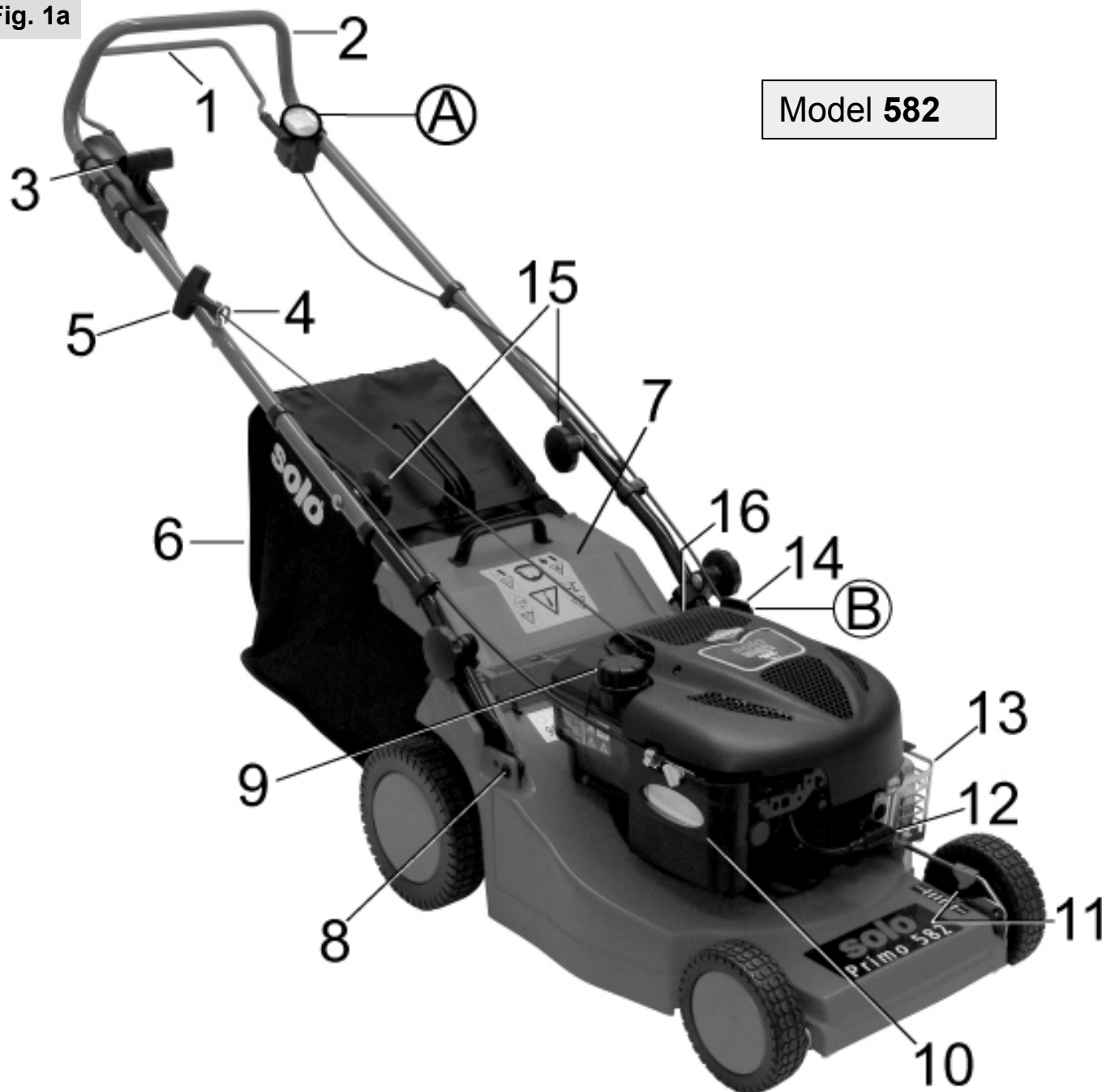


2. Standard delivery


- Lawn mower
- Grass catcher frame
- Grass catcher
- Spark plug wrench
- 2 pcs. **Star** handles M8
- 2 pcs. **Washers 8.4 dia.**
- 2 pcs. **Coach bolts M8x45**
- **Owners manual, owners manual for engine**

3. Control and function elements

Fig. 1a

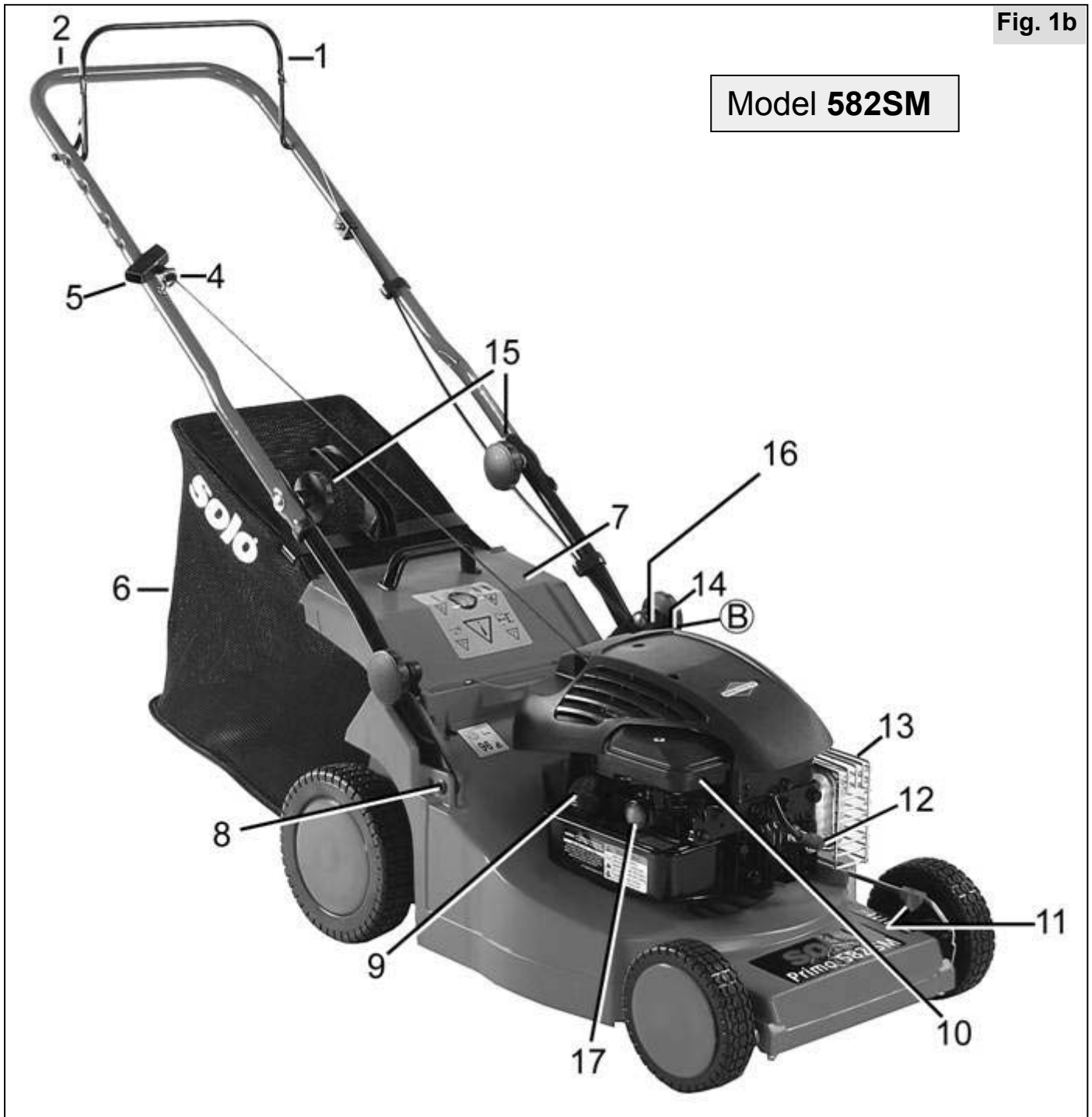


Adhesive labels:

Ⓐ Model **582**:  To stop the engine → release bow handle (1)

Ⓑ Fill the engine with oil before taking the machine into use

Fig. 1b



1. Brake lever, engine brake	11. Height Adjuster Indicator
2. Handle	12. Spark plug
3. Throttle lever (582 only)	13. Muffler
4. Rope Eyelet	14. Oil filler pipe
5. Starter grip	15. Handle Screw
6. Grascatching device	
7. Ejection shield	
8. Handle Bolt	16. Height Adjuster
9. Fuel Tank	17. Primer (582SM only)
10. Air Filter	

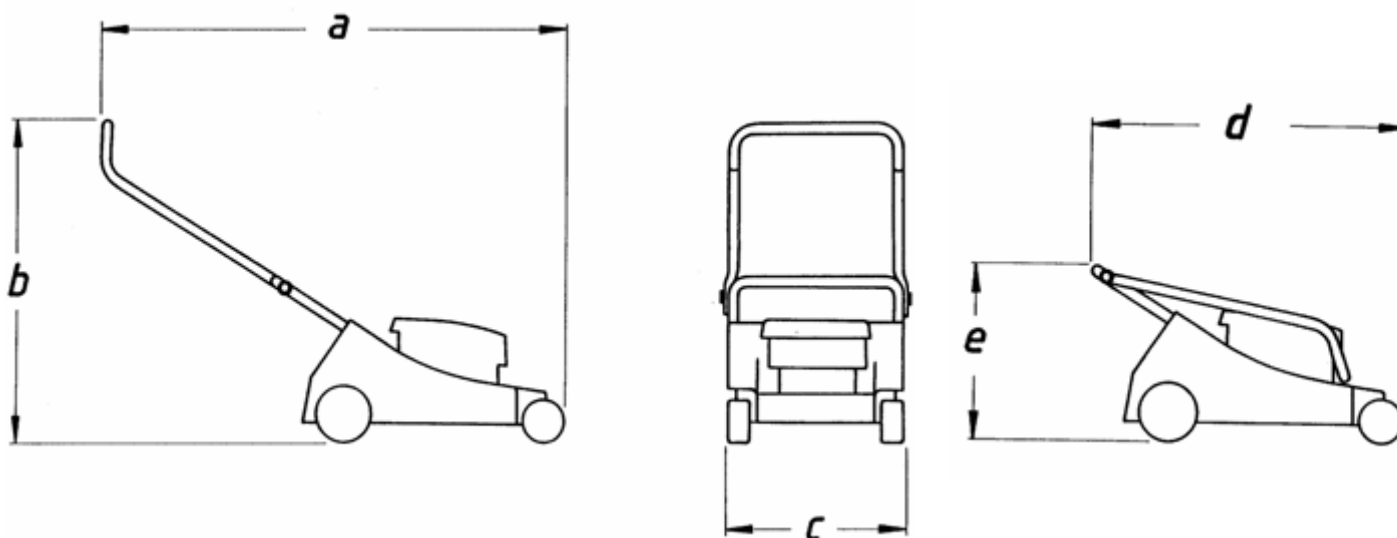
4. Technical data

Mower	582	582SM
Cutting width	40 cm	
Wheel adjustment	continuous central adjustment from 30 - 75 mm (approx. 1 - 3")	
Grass catching device Vol.	40 l	
Blade	Blower-blade, one piece, mounted to overload clutch	
Total weight with grass catching device	26 kg	23 kg
1-cyl., 4-cycle engine	Briggs&Stratton Series 650 READYSTART™	Briggs&Stratton Series 500
Engine power kW at rpm	2.4 / 2800	1.9 / 2800
Engine capacity	190 ccm	158 ccm
Fuel	Lead-free reg.	
Engine oil:	SOLO all-season 4-stroke engine oil	
Measurements:	a: 139 cm (~55"), b: 100 cm - 104,5 cm (~39" - ~41"), c: 45 cm (~18"), d: 80 cm (~31"), e: 49 cm (~19")	a: 131 cm (~52"), b: 94,5 cm - 99 cm (~37" - ~39"), c: 45 cm (~18"), d: 78 cm (~31"), e: 51 cm (~20")

Noise level in work area L_{pA} (ISO 11094) → 81,5 dB(A)

Sound capacity level L_{WA} (ISO 11094) measured/ garanted → 94 dB(A) / 96 dB(A)

Weighted acceleration value a_{vhw} (EN 836) → 12 m/s²



5. Accessoires

	Part no.
Mulch set cutting deck insert and special blade	59 00 824
SOLO all-season 4-stroke engine oil	00 83 115
SOLO bearing grease	00 83 175

6. Safty guidelines

6.1 Correct use

The SOLO lawn mower is intended to be used only for private home or hobby gardens. The lawn mower is not to be used in public facilities, parks, sports centers or for agricultural and forestry purposes.

 Due to potential bodily harm, the SOLO lawn mower is **not** to be used for the following purposes:

- to trim bushes, hedges or shrubs,
- to cut or chop growing vines or lawns on roof-tops or balcony window boxes,
- to clean or suction-up walkways or to chop up trees and shrubbery debris,
- to cut up tree and shrubbery sections.
- to level elevations on the ground, for instance mole hills or other similar elevations,
- a drive aggregate for other work units,
- as a trailer.

6.2 General safety instructions

- Do not allow children or other third parties who are not familiar with the functioning of the machine to operate the lawn mower. Juveniles under age 16 should not be permitted to operate the lawn mower.
- Please adhere to local ordinances which may determine the minimum age for operating the lawn mower.
- Loan the lawn mower only to individuals who are familiar with handling this model. Always make the owners manual available to them.
- Explain to the individual who is to use the lawn mower, how to avoid possible danger and accidents.
- Mow only during daylight hours or with proper artificial illumination.
- Individuals who have a pacemaker should stay clear off the electrical wires of the starter when engine is started or when engine is running.
- Mowers with 4-cycle engines are not suitable for inclines over 15 degrees.
- Store the mower in a safe manner! Mowers should be stored in a dry and locked area that is inaccessible to children.

6.3 Fuel and fuelling



Handling gasoline requires great care.

- Gasoline is highly flammable. Refuel only outdoors - never in enclosed areas.
- Smoking and open fires are prohibited.
- Do not spill any gasoline.
- If gasoline is spilled, clean lawn mower immediately, otherwise do not start engine!
- Avoid contact with gasoline. Change clothing if accidental spills occur!
- Be careful that fuel does not spill onto the ground (environmental protection!)
- Transport and store gasoline only in authorized and marked containers.
- If damages occur, replace fuel tank, cap and fuel lines
- Check for any visible damage.

Lead-free, regular gasoline is to be used.

- Refuel only with the recommended fuels which are listed in the separate engine owners manuals.
- Let mower cool off prior to refueling.
- Thoroughly clean the surrounding areas of the fuel tank. Remove fuel tank cap and fill tank to the lower edge of the filler pipe. Firmly close fuel tank cap.



Gasoline may contain solvent-like substances.

- Avoid hand and eye contact with gasoline.
- Wear protective gloves when refueling.
- Do not inhale gasoline fumes.
- Store fuel in areas inaccessible to children.


6.4 Prior to Mowing

- Check the area completely prior to mowing and during mowing. Remove any foreign matter such as pebbles, stones, wooden pieces, bones, etc. prior to mowing.
- Never mow without sturdy shoes and without wearing long pants. Never mow bare-footed or with open-toe sandals.
- Attach the ejection shield and the grass catching device. Make certain that these are properly secured. It is prohibited to use the mower without the ejection shield or with a damaged shield.
- Check the mower for
 - a) secure fit of fastening parts,
 - b) damage or severe wear and tear.
- Observe installation hints and specified torque when replacing parts.
- Check the grass catching device frequently for wear and tear.
- Lawn mowers with 4-cycle engine need to be serviced with engine oil prior to first-time usage (observe the hints in the separate engine owners manual).
- Check the oil level prior to each mowing.

6.5 During Start-up

- The mower needs to be positioned on level ground when starting.
- Do not start-up in deep grass.
- When starting mower it is important that feet are away from the cutting unit.
- Never place hands or feet near moving parts. Be careful that neither hands nor feet will be caught below the deck.

6.6 Handling

 Do not run the engine in enclosed areas where dangerous exhaust fumes may collect. Danger of poisoning!

- The engine/exhaust becomes very hot: Do not touch!
- Always position yourself firmly on the ground when mowing on a slope.
- Move at a walking pace when mowing.
- Mow diagonally on a slope, never in a straight upward or downward motion.
- Be especially careful when changing directions on a slope.
- Be especially careful when turning mower around or when pulling mower towards you.
- Do not walk backwards with the mower. Danger of stumbling. Avoid walking backwards.
- Avoid abnormal body positions. Assure solid positioning on the ground, and at all times, keep your balance.
- Always keep sufficient distance which is established by the length of the handle.



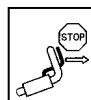
Turn off engine and remove spark plug cap.

- Prior to checking the mower,
- prior to removing blockages of ejected material,
- or prior to cleaning the mower and for other maintenance work, and
- when you mount the Assembly mulching Set
- when the mower is temporarily left alone,
- when the mower is lifted or tilted during transport.



Turn engine off when.

- Opening the ejection shield and when removing grass catching device,
- when removing the upper handle section from the lower handle section,
- when pushing mower outside the lawn,
- when the cutting height is to be adjusted,
- prior to refueling.
- when crossing areas other than grass
- when transporting the mower to or from the grass area



- Never lift or carry the mower when engine is running.
- Never use the mower when ejection shield is damaged or missing. Mow only with the proper grass catching device which has to be correctly installed, and with a completely closed ejection shield.
- Do not alter the engine's initial settings.
- If the mower becomes blocked, for example when running over an obstacle, the mower needs to be checked by a specialist to see if parts are damaged or deformed.
- Immediate checking is required if the mower vibrates at an unusual high level.

6.7 Service and Storage

Caution: Before every Service, Cleaning and Storage stop the engine and remove spark plug cap.

- Take care that all screw connections are tightened.
- Never store the mower with gasoline in fuel tank in a building where gasoline vapors may come in contact with open fires or where sparks could ignite fumes.
- The fuel tank should be emptied outdoors. Use suitable containers for draining gasoline.
- Let the engine run until the gasoline remaining in the carburetor is depleted.
- Let the engine cool off prior to storage in an enclosed area.
- To avoid danger of fire, clean grass, leaves or escaping grease (oil) off engine, muffler and fuel tank.
- On a regular basis, check the grass catching device and check the ejection shield for wear and tear and sound operation.
- For safety reasons, replace worn or damaged parts.
- Always wear protective gloves when working near the cutting device's vicinity.
- Servicing and repairs are only to be conducted when engine is turned off and when spark plug cap is removed.
- For warranty purposes and safety reasons only SOLO replacement parts should be used.

Ensure that the tank is fully drained before any assembly, disassembly or modification.

Maintenance and repair

Maintenance and repair of modern motorized devices, as well as their safety-relevant assemblies, require qualified, specialized training and a workshop equipped with special tools and test devices.

Thus SOLO recommends that you have a specialized SOLO workshop carry out all work that is not described in these operating instructions. Your SOLO specialist has the required training, experience, and equipment at his disposal to provide you with the most cost-effective solution and can help you in many ways with advice and service.

Replacement parts

Dependable operation and the safety of your device also depend on the quality of the replacement parts that you use. Use only original SOLO replacement parts.

Only original parts come from the production of the device and thus guarantee the highest possible material quality, dimensional accuracy, function, and safety. Original replacement parts and accessory parts are available from your dealer. He also maintains the requisite replacement part lists to determine the required replacement part numbers, and he is constantly provided with information concerning detail improvements and innovations in the replacement part offering.

Please note as well that guarantee performances from SOLO are not possible if parts other than SOLO original parts are used.

In conformance with the product liability law we want to clearly point out that we are not liable for any damages which may occur due to improper handling, or repair. Furthermore, we are not responsible for any damage that may occur if replacement parts other than SOLO replacement parts, or parts that were not authorized by SOLO, have been used. In addition we are not liable for any damage that may occur if repair work was performed by any source other than the Customer Service or an authorized Service Center. This liability exclusion applies also to accessories and supplemental parts.

7. Preparing the equipment for use

7.1 Assembly

Your lawnmower will be ready for use in only a few steps.

Securing the handle:

The lower handle part is secured with handle pins (8) and firmly held in place by the clamping block (18) in the mower housing.

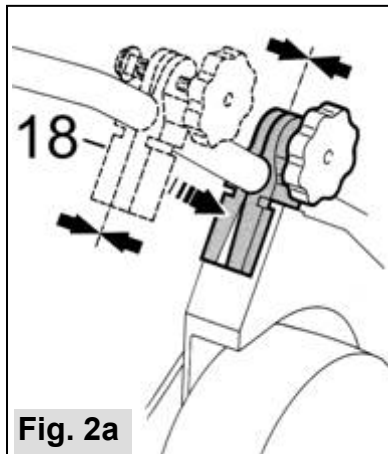


Fig. 2a

Loosen both star handles M8 and insert the clamping block into the mower housing until flush. Tighten the star handles.

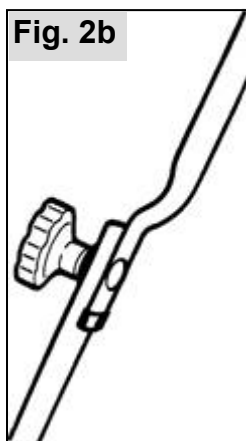



Fig. 2b

Connect the upper handle with the lower handle and secure on both sides with coach bolts 8x45 and washers 8.4 mm dia.. Tighten with star handles on the inside of the handle.

Secure both bowden cables with cable clips to the handle.

 Ensure the cables are free of any sharp bends and are not damaged.

Placing starter handle in rope guide

Release the engine brake by pushing the brake lever against the mower handle. Slowly pull the starter handle and rest handle in rope guide on the upper handle (4).

Note: Take care when folding and unfolding the handles to ensure that cables are not damaged in any way.

Folding of Handle

To fold the handle:

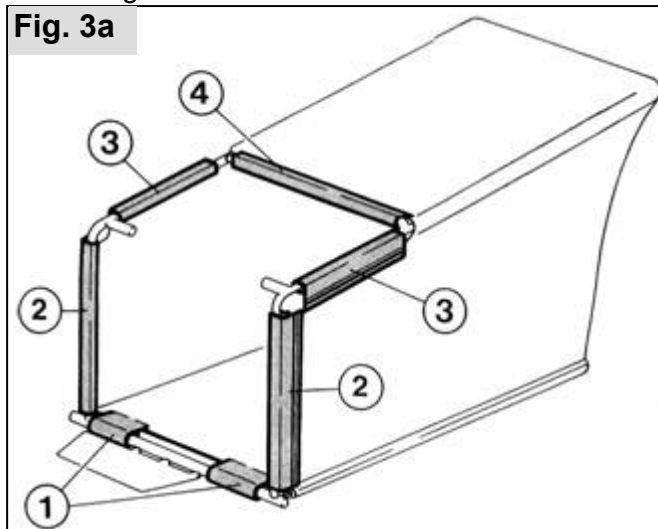
- disconnect starter rope from rope guide (4),
- loosen both clamping blocks with star handles and pull out from mower housing,
- place lower handle to the rear of the mower,
- loosen handles (15) and
- fold upper handle towards the front.

7.2 Grass Catching Device



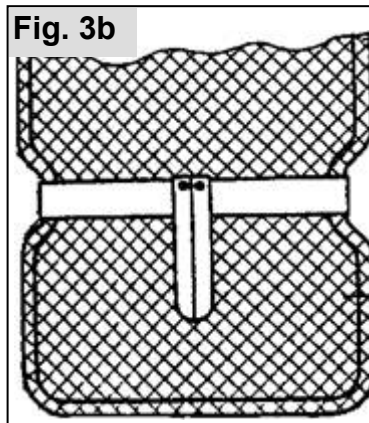
Install and remove catcher only with stopped engine!

Fig. 3a



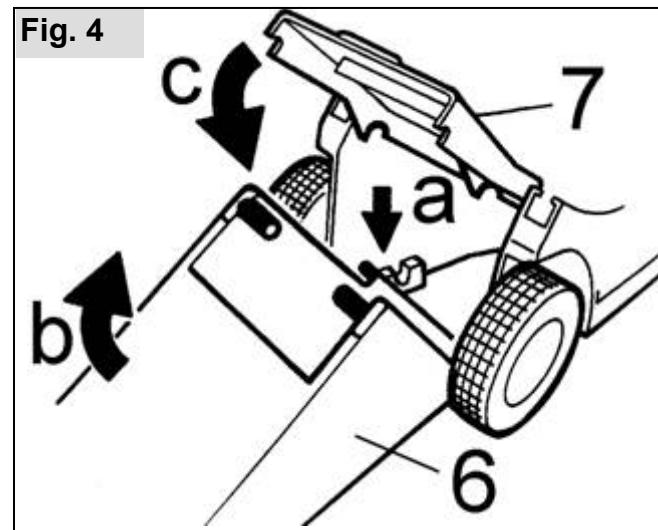
Pull the catcher over the frame and attach plastic retaining flaps in the sequence 1-2-3-4 to the frame.

Fig. 3b



Squeeze the upper frame of the catcher to allow the carrying bracket to be fitted.

Fig. 4



To fit the catcher (6), lift the rear flap (7), rest the catcher frame on the lower guide of the mower housing (a), lift catcher upwards (b) until the catcher completely locks in the discharge flap (c).



The discharge chute detector (7) is designed for your personal safety. The detector must

be permanently closed when using the lawnmower without grass catcher (6).

7.3 Adjusting cutting height

The mower is equipped with a continuously adjustable cutting height of approx. 30 - 75 mm (approx. 1 - 3 inches). The height adjustment for all wheels is accomplished by the central adjustment (16). Turning to the right reduces the cutting height, and turning to the left increases the height. The height can be read from the markings (11).

Attention: The cutting height is to be set so that the blade does not touch the ground when the ground is not level. Only mow with the lowest cutting adjustment when lawns are flat.

7.4 Engine

Prior to start up, carefully read the engine operating manual and the following instructions. Adhere to all instructions to assure the engine's long life and to keep the warranty valid.

8. Starting / Stopping the engine

When starting the mower, position yourself on the side or behind the mower. The safety distance which is given by the handle is always to be adhered to.

Caution! The cutter operates as soon as the engine starts! Never reach with your hands under the deck and never slide a foot under the deck!

8.1 Starting

Attention: To release the engine brake when starting the engine, the brake bar (1), needs to be pushed towards the handle.

If the brake bar (1) is not pushed to the handle during start, the electrical ignition is shorted and the engine brake is activated. In this situation, the engine cannot be started with manual start up.

Model 582:

The choke position is automatically adjusted through a bimetal sensor subject to engine temperature (Ready-Start®). This model requires no manual adjustment for a cold start.

Model 582SM:

For cold starts or if the fuel tank ran dry, before it was refilled, first press the primer (17) several times (at least 3 x).

Starting a warm engine requires no particular adjustments.

Pull on the starter cord, until resistance is felt – then pull through in one strong movement.

You can begin mowing as soon as the engine has started.

8.2 Shutting off engine

- Move the throttle lever (3) to "min" (582 only)
- release brake lever (1) and wait until engine shuts off.

Attention: When the brake lever is released (1), the electrical ignition of the engine is cut off. The engine RPM and the blade will stop within several seconds

9. Mowing hints



When mowing, please observe the safety recommendations which are part of this owners manual!



Important Note: The time and duration when lawn mowers can be operated may be subject to local ordinances. These ordinances usually vary from location to location.



Noise is damaging. During extended mowing, we recommend wearing protective head gear to avoid possible hearing loss.

Before mowing, search the lawn and carefully remove any debris (stones, shards, metal objects, twigs, etc.). Leaves, cuttings, etc. do not need to be removed prior to mowing, but can be picked up with the grass catcher.

Modell 582



Note: If, on account of the growth pattern, the full engine power is not required, you can select the Eco position ("Öko") between max. and min. on the throttle control (Fig. 5) to protect the environment..

Model 582SM:

The optimum engine speed for model 582SM is permanently set, and can therefore not be regulated.

9.1 Mowing with Grass catching device

A sharp blade is essential for best cutting results. A dull blade (grass stems become ragged during cutting and the lawn turns yellow) has to be resharpened (see chapter „Blade“).

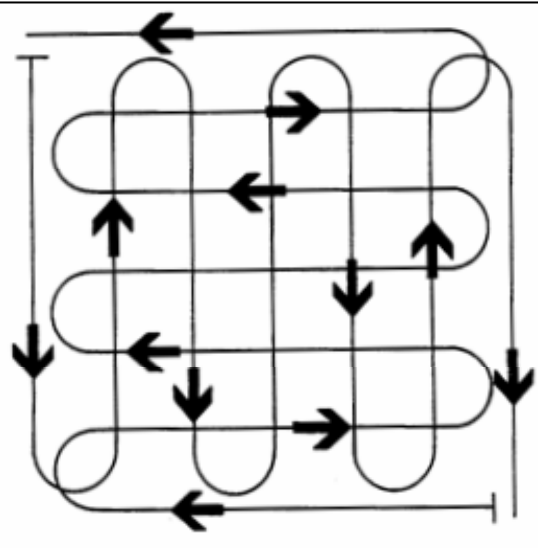
Short and dry grass can be easily blown in the grass catching device (6). This is made possible by blower-supported grass ejection (turbo effect).

The shorter the cuttings, the better the grass catcher handles them;

- excessively long or wet grass could possibly clog-up the catcher or slow down the pick-up.

In case of long grass, therefore, first cut with a higher setting in one direction (with generous overlap) and then across the first pattern with a lower or the standard cutting height (Fig. 6).

Fig. 6



Grass height, density and grass dampness determine cutting results. Grass that is dry and not too long assures best cutting results. Wet grass may be cut and collected; however, the cutting results and the collection outcome are affected.

9.2 Lawn Care

If possible, mow only when the lawn is dry and when the ground is dry. The lawn mower's wheels press into the wet ground and leave compression marks.

A lawn looks better and appears more uniform if cut often. Frequent cutting allows the lawn to become healthy since the growth goes into the stem.

Short cuttings up to 1 cm (approx. 1/2 inch) may be left on the ground, longer cuttings need to be collected with the grass catching device. At Spring time, the first mowing should take place approx. 2 to 3 weeks before the grass grows at its usual level. In order to achieve early greening of the lawn, cut only approx. 1.5 cm (3/4 inch) of the grass. Check lawn for foreign objects (rocks, glass, metal pieces etc.) prior to mowing lawn. The grass catching device can be used for any additional clean-up (leaves etc.).

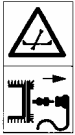
Newly seeded or thin lawns must not be cut too short (leave 3 - 4 cm) (1 - 1 1/2 inches). Let the grass remain at that length for 4 to 5 weeks, so that the lawn increases in width and density.

Attention: SOLO Lawn mowers with rear eject are especially suited for the collection of leaves.

However, this use is **only permitted on lawns where all foreign objects, such as stones, shards, metal objects, twigs, etc. have first been carefully removed.** Leaf collection on solid ground (for example, roads or walk-ways) is prohibited due to inherent safety risks.

For leaf collection, the cutting height is to be set to the middle or to the highest setting.

10. Maintenance and Care



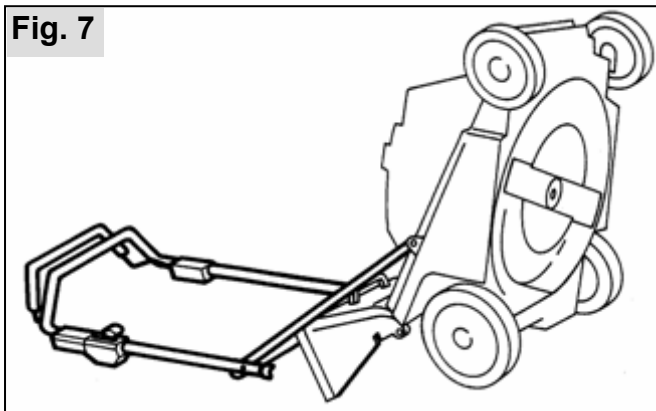
For your own safety, remove the spark plug cap from the spark plug prior to any maintenance work or cleaning (12).

Any maintenance and care that go beyond the described explanations need to be left to an authorized Service Center.

10.1 Cleaning the Mower

After each use, the mower needs to be thoroughly cleaned. Special attention needs to be given to the lower side, the blade and the cutting area circle.

Tip: To enable the lawnmower to be maintained and cleaned with an empty fuel tank, fill only enough fuel for the mowing job in hand. That way, the tank can be quickly emptied after mowing has been completed.



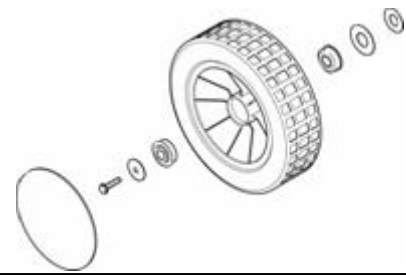
After releasing handle Screw (15), the mower can be raised onto its rear wheels and be supported on the lower handle. First pull the spark plug cap. The fuel tank should be empty, if possible, to prevent fuel spilling from the fuel tank cap. Catch any fuel running out of the carburettor with a suitable rag.

Dirt and grass debris is removed easily immediately after mowing. Imbedded grass debris and dirt on the mower deck's lower section interrupt the grass collection and affect cutting results. Imbedded dirt on the blade and on the blower wheel lead to imbalance and consequently to vibration. Check also for cleanliness of the duct. The ejection air duct can be cleaned with a small stick or with a screw driver.

Do not spray the mower with a hose or high pressure cleaning hose. The engine has to remain dry. The outer deck parts can simply be kept clean by wiping the unit off with a rag. Strong cleaning agents of any kind are not to be used.

10.2 Wheel axles and wheel hubs

Fig. 8



Wheel axles and wheel hubs are to be lubricated occasionally (at least once a year). Remove wheel cap, release screw and remove wheel. During disassembly observe the sequence for the reassembly of the parts. We recommend SOLO bearing grease, part no. 00 83 175.

10.3 Height adjustment

Before storing your lawnmower out of season clean and lubricate the wheel adjuster spindle with grease (this procedure is necessary at least annually).


- For this, set the wheel adjuster to its highest **position (max)**, clean and lubricate the exposed part of the spindle with grease - then set the wheel adjuster to its lowest **position (min)**, clean and lubricate the remaining spindle with grease. For this, we recommend SOLO bearing grease, part no. 00 83 175.

10.4 Air filter Maintenance

Attention: Dirty air filters reduce the engine's efficiency, the carburetor does not receive sufficient air flow. Routine inspection, especially in dusty conditions, is essential.

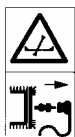
Attention: Never clean air filter parts with gasoline or flammable solvents. Danger of fire or explosion! Observe all instructions in the respective engine owners manual.

10.5 Mowing Blade

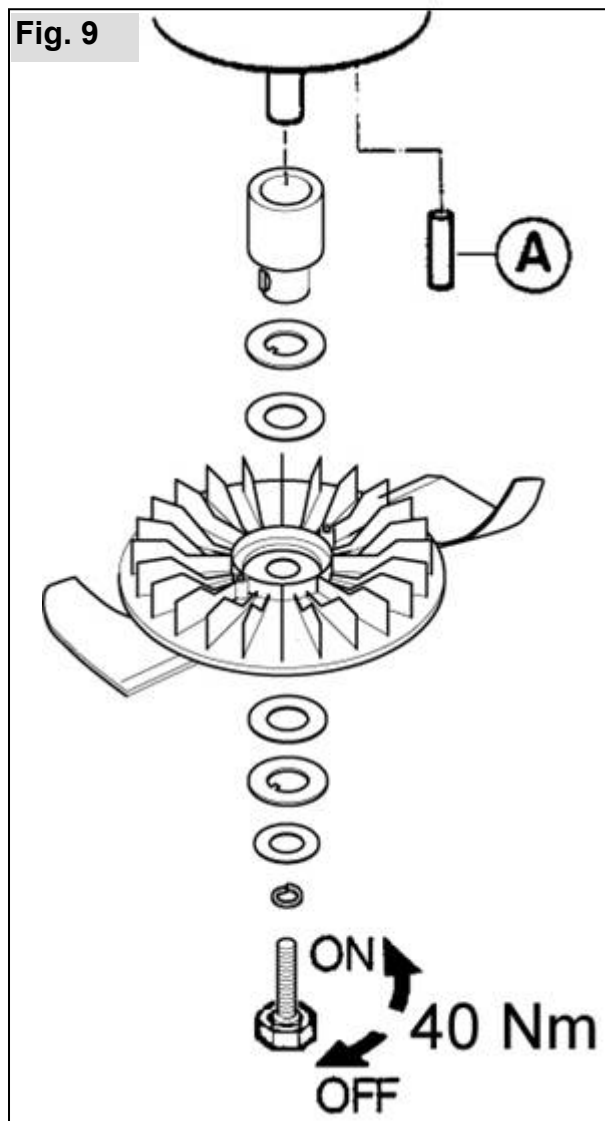
 Special tools, such as a torque wrench for example, are required to mount the blade to the mower. For safety reasons we recommend that the mowing blade is sharpened, balanced and re-fitted by an authorized specialist workshop only. The following notes are therefore only intended for specialist repair shops.

To obtain best mowing results we recommend to have the blade sharpened / balanced or at least once every year.

Replacement of Blade



Proper gloves are to be worn when replacing the blade. The spark plug cap has to be removed prior to any work.



When replacing any blade parts only SOLO spare parts are to be used. The identification No. on the blade has to agree with the Order No. for the replacement. Never install a different type of blade!

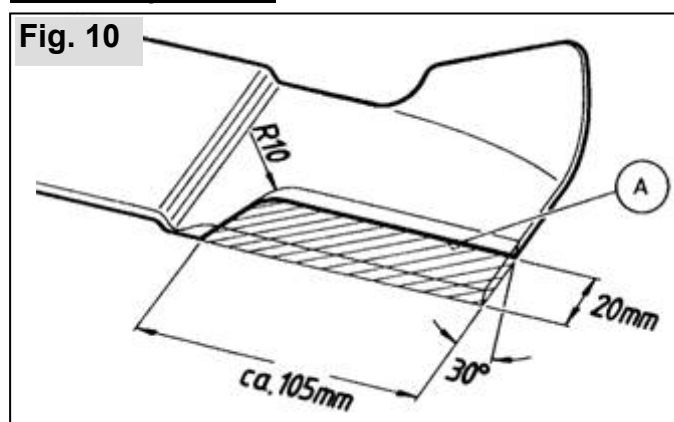
Use the holding pin as a blocking device for the blade. The blade fastening screw has a regular right-handed thread. To remove the screw we recommend using a socket wrench 21 mm (spark plug wrench) or hex. wrench 8 mm, 5/16". At re-assembly of the overload clutch be sure and observe the sequence in which these parts were previously assembled. The blade screw is to be tightened with the specified torque of 40Nm.

Damaged Blade

The engine needs to be shut off and the spark plug cap has to be removed if the blade has come in contact with a foreign object or other obstacle. After the blade stops, tilt the mower and check the blade for damage. Deformed or bent blades are not to be re-aligned.

Damaged parts are to be replaced immediately. If the mower has been driven over a notable obstacle, the mower needs to be checked by an authorized Service Center. Prior to use make certain that blade and blade fastening parts are not damaged. If necessary, parts need to be checked or replaced. Never operate mower with an unbalanced blade - this would cause vibration and additional damage.

Sharpening of Blade



Attention: The blade may be sharpened with a metal file; however, we recommend that resharpening/sanding is done by an authorized Service Center who will pay attention that the same amount is sanded off on each side to avoid any imbalance.

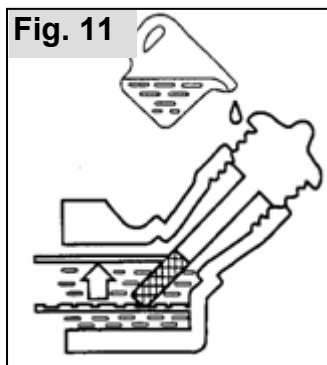
The cutting edge of the blade is only to be resanded up to the imprinted markings.

10.6 Oil level check

Attention: The engine oil affects the lawn mower's efficiency and life span. Never operate the engine without oil or with little oil. Major engine damage can occur. The optimum viscosity depends on where the lawn mower is used (air temperature and altitude) and can be found in the engine owners manual.

Checking Oil level:

Observe the notes and instructions in the type-specific engine operating instructions.



- Fig. 11**
- Place lawn mower horizontally with all wheels on the ground.
 - Turn oil tank cap counter-clock-wise (14), and remove. Wipe off dipstick.
 - Place dipstick back into filler pipe.
- Remove dipstick, hold horizontally and read oil level. Oil level has to be between the "MAXIMUM" and "MINIMUM" markings.

Changing Oil

The engine oil may be drained via the oil drain screw or the oil filler opening. Blade and blower wheel need to be removed to reach the oil drain screw (illustration 9). Observe especially the service instructions in the separate engine owners manual.

When draining via oil filler opening (14): Tilt the warm mower (with fuel tank empty and closed oil filler) slowly over the side of the filler opening. Remove oil filler cap and catch old oil in a container. Wait several minutes until oil is drained. Dispose off the old oil in accordance with local ordinances.

After changing oil, always wash hands with a scouring agent, soap and water.

Attention: Never simply throw away used engine oil and gear lubricant (environmental protection). Collect used oil in authorized containers and submit to the proper recycling facility.

11. Parts subject to wear and tear

Various parts are subject to application-specific wear or to normal wear and must be replaced in good time if necessary. The following parts are subject to normal wear and are not covered by the manufacturers guarantee:

- Blade and blade fixing
- Friction pads
- Air filter
- Spark plug
- Fluids, such as engine and gearbox oil
- Drive belts on lawnmowers with self-drive

12. Guarantee

The manufacturer guarantees problem free quality and will cover the cost of replacing parts which are found to be faulty in material or show manufacturing defects within the prescribed guarantee period after the date of purchase. Please note that specific guarantee conditions may differ from country to country. When in doubt, please ask the vendor of the goods. The vendor of the product is responsible for guarantee applications.

We hope you will understand that we cannot be liable for damage resulting from these causes:

- Non-compliance with operating instructions.
- Neglecting required maintenance and repair jobs.
- Damage caused by improper carburettor adjustment.
- Wear from normal use.
- Obvious overload by continuously exceeding the upper performance limit of the product.
- Using non-approved tools.
- Use of force, improper treatment, misuse and accidents.
- Damage from excessive heat due to dirt build up around the cooling fan housing.
- Attempted adjustments and repairs by non-qualified persons.
- Use of unsuitable spare parts or non-original parts if such parts are the cause of the damage.
- Use of unsuitable or stale fuel.
- Damage caused by using the product in the hire or rental industry.

Normal cleaning, adjustments or maintenance jobs cannot be claimed as part of the guarantee.

All guarantee work must be carried out by a service centre authorized by the manufacturer.

solo[®]

Made in Germany



SOLO
Postfach 60 01 52
D 71050 Sindelfingen

Tel. 07031-301-0
Fax 07031-301-130
info@solo-germany.com

SOLO
P.O.Box 60 01 52
D 71050 Sindelfingen
Germany
Phone+49-7031-301-0
Fax +49-7031-301-149
export@solo-germany.com