

*Instruction manual
Original instructions*

Electric trimmer


Important!

Read this instruction manual carefully before first operation and strictly observe all safety regulations!



Instruction manual

Original instructions

 **Caution!** Prior to operating the unit, please read the owner's manual carefully, and most importantly, observe all safety rules.

Observe the maintenance guidelines closely to ensure the long service life of your equipment.

Your dealer will be glad to assist you with any questions.

EC declaration of conformity → The EC declaration of conformity on a separate piece of paper forms part of these operating instructions.

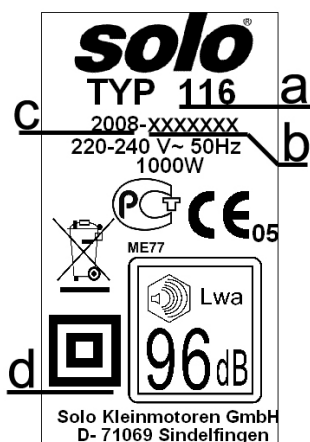
Packaging and disposal

Please keep the original packaging in order to protect the equipment against transport damage in case you ever need to ship it or transport it. If the packaging materials are no longer required then they must be disposed of properly in accordance with applicable local regulations. Cardboard packaging materials are raw materials which can be recycled or reused.

At the end of the equipment's service life, please make sure that you dispose of it properly, in accordance with the official directives and regulations that apply in your area

Type plate

- a: Type designation
- b: Serial number
- c: Build year
- d: Double-insulated



Symbols

The following symbols are used in this manual and on the product:

	Always handle this power tool with particular care
	Read these operating instructions carefully before undertaking any maintenance, installation and cleaning steps
	Wear ear defenders and a face shield before starting the motor.
	Please note: objects may be thrown out and high
	Maintain a minimum distance of 15 metres bystanders
	Immediately pull the mains plug from its socket if the supply cable or extension cable are damaged
	Never use this power tool in the rain
	No use of metal cutting blades allowed. Use only permitted string head cutting tools for work process.
	Wear protective gloves when handling and working with the equipment
	Wear solid shoes, preferably safety shoes with a good profile
	Electrical equipment is unsuitable for domestic waste. Have the equipment, accessories and packaging recycled in an environmentally responsible way.

In the best interest of continued technological progress we reserve the right to change the design and configuration of any product without prior notice.

For that reason, no claims can be accepted with reference to text and illustrations in this manual.

Index

	Page
1. Safety regulations	3
1.1 Mains supply and extension cable	3
1.2 Correct use / General safety instructions	4
1.3 Working clothes	4
1.4 When transporting the equipment	4
1.5 Before connection to the mains supply	5
1.6 Working with the machine	5
1.7 Maintenance, cleaning and repairs	5
2. Standard delivery	6
3. Control and function elements	6
4. Specification	7
5. Preparing the equipment for use	8
5.1 Loop handle assembly	8
5.2 Shield installation	8
5.3 Cutter installation	9
5.4 Shoulder strap adjustment	9
5.5 Connection to the mains supply	9
6. Using your trimmer	10
6.1 Scope of Application	10
6.2 Correct trimmer operation	10
6.3 Adjusting the cutting line	10
6.4 Troubleshooting	11
7. Operating and maintenance instructions	12
7.1 General operating and maintenance instructions	12
7.2 Gearbox lubrication	12
7.3 Cleaning	12
7.4 Shutdown and storage	12
8. Guarantee	13
9. Parts subject to wear and tear	13

1. Safety regulations

1.1 Mains supply and extension cable

- Only extension cables approved for outdoor use with a minimum cross-section as shown here are permissible as mains extension cable.

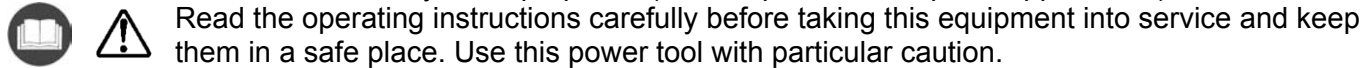
- DIN 57282/H07 RN-F
- The cable connectors must be made from rubber or must be covered in rubber.
- When using a cable reel, fully unreel all cable.

Cable length up to	Minimum cable cross- section
7 m	1,2 mm ²
15 m	1,6 mm ²
30 m	2,0 mm ²

- Check whether the mains supply voltage matches the details on the type plate of the power tool.
- The mains socket must be protected at least by a 16 A fuse.
- For your personal safety, we recommend the use of a 30 mA RCD.

1.2 Correct use / General safety instructions

The electric trimmer must only be used to cut grass, reeds, weeds and wild growth at ground level. The trimmer must not be used for any other purposes (see chapter 6.1 "Scope of Application").



Read the operating instructions carefully before taking this equipment into service and keep them in a safe place. Use this power tool with particular caution.

Non-observance of safety instructions can lead to a risk to life. Also observe any regulations from your professional body. These operating instructions must always be available at the place of work. All individuals instructed to work with the equipment (including maintenance, care and repair), should read these instructions.

- You should request and receive instructions from the vendor on the safe operation if you are using this type of product for the first time.
- Never expose this power tool to rain. Never use this equipment in moist or wet conditions.
- Children and young persons under the age of 18 years may not work with this power tool, with the exception of young people over the age of 16 years who are being trained under supervision.
- Keep bystanders and animals away from the working area. Maintain a minimum distance of 15 m. When working near thickets, be aware that children and animals may be hidden there. Immediately stop the machine and the cutter if any person or animal comes close to the working area. The operator is responsible for any accidents or damage caused to individuals or property.
- This machine may only be passed on or lent to third parties if they are familiar with the safe use of this product and with these instructions. Always supply the manual with the machine.
- Ensure you are rested and in good health when using this machine.
- Persons under the influence of alcohol or drugs, including prescription drugs, are not allowed to use this machine, as their ability to quickly react to potential danger may be impaired.
- Never alter, change or modify any safety equipment or functional assemblies on this machine.
- Only use this machine if it is in good, safe condition. Always check the machine prior to use. **Risk of accident!**
- Only use those accessories and attachments that have been supplied by the manufacturer and that are expressly approved for attachment. When using a nylon head, never replace a plastic line with a steel line. Always use the appropriate guard with each cutter.
- Before replacing the cutting blades, always first stop the motor and pull the mains plug from its socket to prevent an accidental starting of the motor.
- The reliability and safe operation of your machine depend on the quality of parts used with the machine. Only use original spare parts. Original spare parts are identical with genuine production parts and guarantee best quality in material, dimensions, function and safety. Original parts and accessories are available from your specialist dealer. Your dealer has been supplied with appropriate documentation to determine the correct parts. Your dealer is frequently supplied with updates about improvements to the equipment. Please note that the use of non-original parts will void your warranty.
- Always store the machine in a safe place and in such a way that it will not pose any danger. Stop the motor when the machine is not used.

Persons who disregard safety instructions, operating or maintenance instructions may be liable for any damage or consequential losses.

1.3 Working clothes

To prevent injuries, always wear suitable clothing and safety equipment when working with this power tool. This clothing should be practically oriented to the application (for example a tight fitting work suit), but should not be confining.

Never wear scarves, ties, jewellery or other items of clothing, which might get caught in the equipment, in brush or on branches. Safely tie back long hair (use a cap, helmet or similar).



Wear sturdy shoes with a good profile - ideally safety shoes.

Wear protective gloves with non-slip palms.

Use ear defenders and/or a visor for protection against flying objects or objects caught up in the turbulence (protective goggles for example).

1.4 When transporting the equipment

- Always turn off the motor when transporting the machine.
- Never carry or transport the trimmer with the motor running.

1.5 Before connection to the mains supply

Before taking the power tool into use, check it fully for perfect condition.

- The ON/OFF switch must be able to move freely and must automatically return into the stop position.
 - The cutters and guard must be tightly secured and in perfect condition.
 - The mains cable, which is part of the equipment, and the extension cable must be in perfect condition.
- Should the check reveal any irregularities or recognisable damage (also to the frame) or reduced efficiency of the machine, do not commence work. Take the power tool to a specialised workshop and have it checked.

1.6 Working with the machine

- Only use this power tool when it is complete and in a safe condition.
- Work conscientiously, thoughtfully and calmly, and do not endanger third parties.
 - Pay attention to good visibility and lighting conditions.
 - Always remain within earshot of other people who can provide help in case of emergency.
 - Plan for timely work breaks.
 - Pay attention to possible hazards and take appropriate precautions. Be aware that wearing ear defenders reduces the ability to perceive noise. This includes sounds alerting to danger such as signals, shouts, etc. that can go unnoticed.
 - Exercise caution when the ground is wet or covered in ice and snow, on overhangs, or uneven terrain. There is an increased risk of slipping!
 - Pay attention to the risk of stumbling and obstacles, such as tree roots and stumps, edges, etc. Pay particular attention to safety when working on slopes.
 - Before commencing work, check the working area for stones, broken glass, nails, wire or other solid objects and remove such debris to prevent them being picked up and thrown out by the cutting tool.
 - Ensure that, when you start the machine, it contacts neither objects nor the ground.
 - Always hold this power tool firmly in both hands, and ensure your safe and firm foothold.
 - Always hold the cutters below hip level. Never lift a rotating cutter off the ground.
 - Keep all parts of the body away from the rotating cutting tool.
 - Always keep the mains supply or extension cable away from the cutting tool.
 - Use a correct operating mode (see Chapter 6.2 "Correct trimmer operation").
 - Please note that noise also impacts on the environment. Observe the quiet times that can vary from place to place.
- Stop the motor if you notice a difference in the operating characteristics of the trimmer.
- The cutter continues to rotate for a short time after releasing the ON/OFF switch. Ensure that the cutter has come to a complete standstill before parking the machine.
- Before any contact with the cutter – even when clearing a blockage or jamming of the cutter – switch OFF the motor, wait until the cutter has come to a complete standstill and pull the mains plug from its socket.

First Aid

A first aid box should always be available on-site. Immediately replace any materials you have used:

Note:

Over exposing persons with circulatory problems to vibrations can lead to damage to their nervous system or blood vessels. The following systems may occur from vibrations to fingers, hands or the wrists: Numbness, itching, pain, twinges, changes to the colour of the skin or the skin itself. Seek medical advice if you experience any of these symptoms.

1.7 Maintenance, cleaning and repairs

Only carry out those maintenance jobs and repairs, which are described in this manual. A specialised service centre will carry out all other jobs.

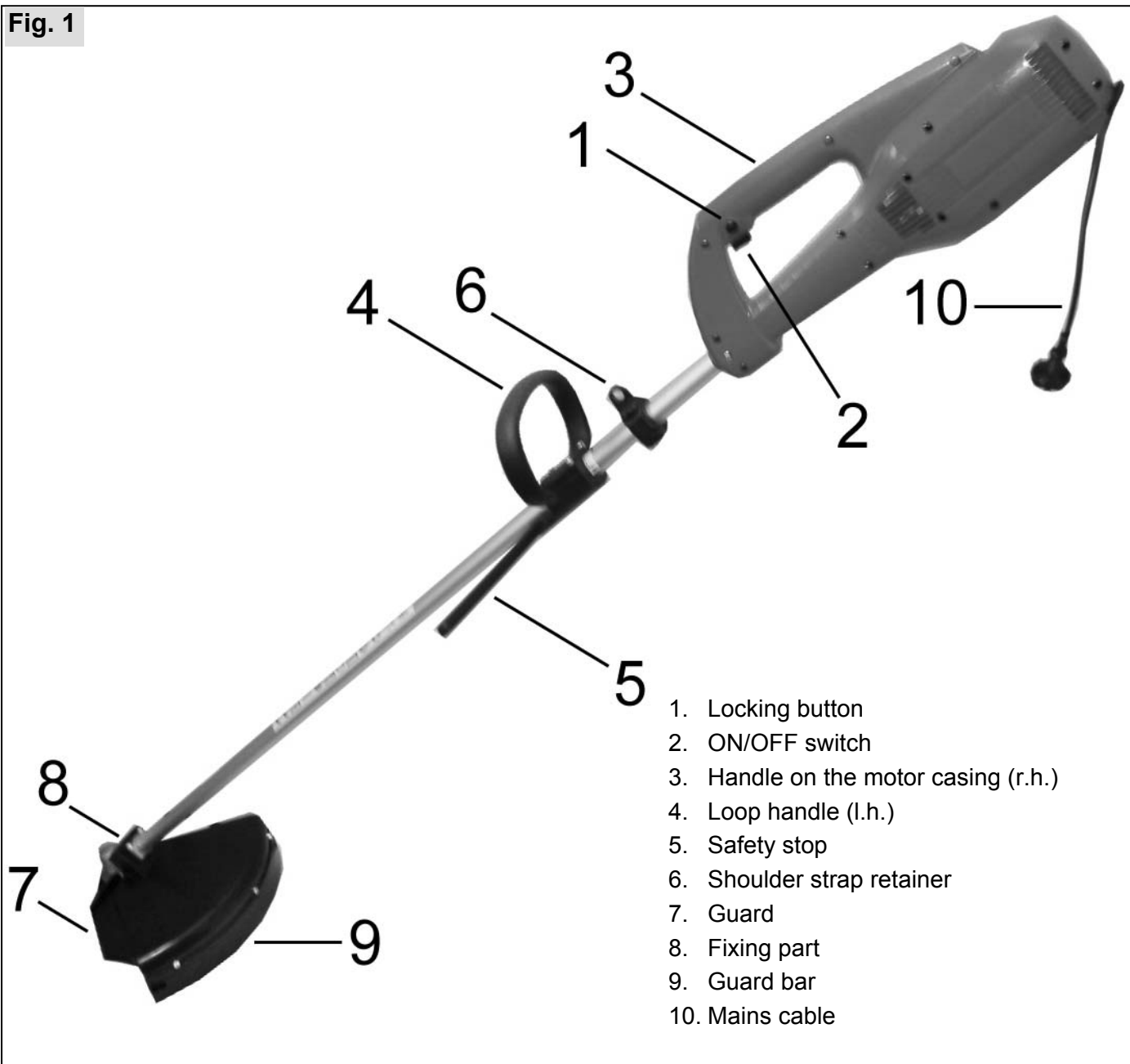
- Before cleaning, maintenance or repairs, always switch OFF the motor and pull the mains supply plug from its socket.
- For any repairs only use original parts from the manufacturer.
- Never hose down the power tool – not even for cleaning.

2. Standard delivery

- **Electric trimmer** partially assembled; the following components are supplied separately and require assembly
- **Handle** and all parts required to complete the assembly
- **Shoulder strap**
- **Guard, Guard bar**, line trimmer and all parts required to assemble the shield
- **Nylon head cutter** with all **assembly parts** required for fitting the nylon head
- **Retaining pin (allen wrench)**(for fitting the cutter)
- **Instruction manual**
- **Instruction manual**, the **EC declaration of conformity** on a separate piece of paper

3. Control and function elements

Fig. 1



4. Specification

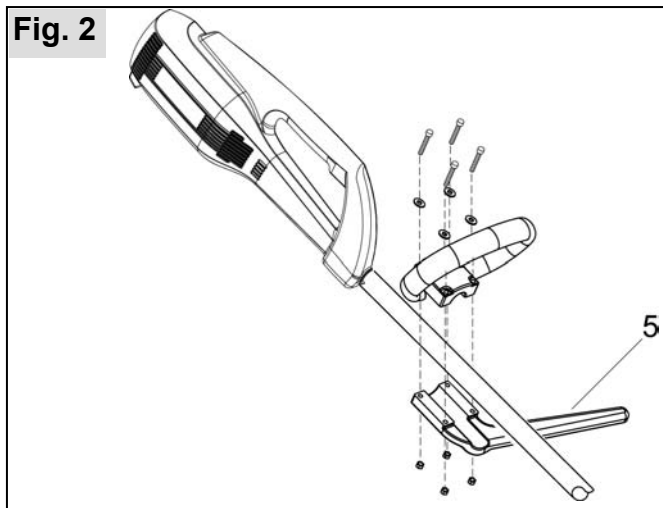
Motor type / Motor power	W	Electric motor / 1000
Mains voltage / frequency	V / Hz	230 AC / 50
Protection class		II (double-insulated)
Extension cable (accessory)		DIN 57282/H07 RN-F
Rated speed of the cutter	$1/\text{min}$	6500 - 7500
Drive shaft – property / diameter	mm	Flexible / 6,2
Shaft tube – material / diameter	Ø mm	Aluminium / 25
Gear reduction		1,25 : 1
Standard cutting tool		2-line nylon head; semi-automatic; square section and twisted line Ø 2.0 mm
Cutting diameter	mm	380
Dimensions - Height / Width / Length	mm	1750 / 380 / 240
Weight w/o guard and cutting tool	kg	4,5
Weighted effective acceleration (EN 786 Appendix D) Handle r.h. side / handle l.h. side	m/s^2	5,88 / 10,6
Sound pressure level LP_{eg} (EN 786 Appendix E) dB(A)		74,3
Sound power level L_{Weg} (EN 786 Appendix E) actual / guaranteed 95%	dB(A)	95,85 / 96

5. Preparing the equipment for use

For shipping purposes, the trimmer is partly disassembled and has to be reassembled prior to use.

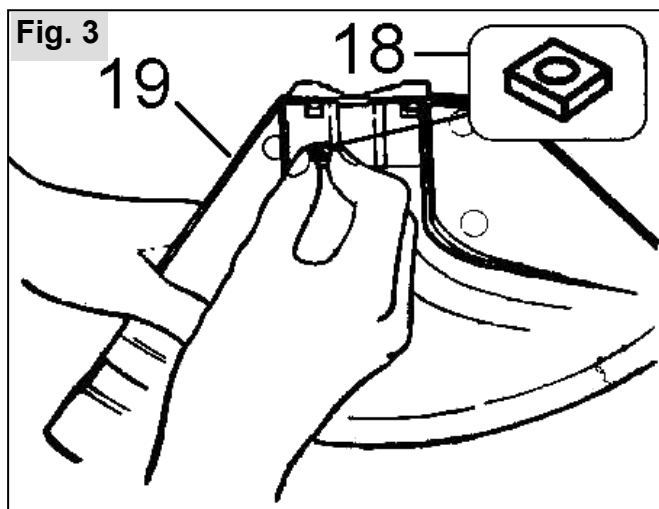
Only use the trimmer after it has been fully assembled.

5.1 Loop handle assembly

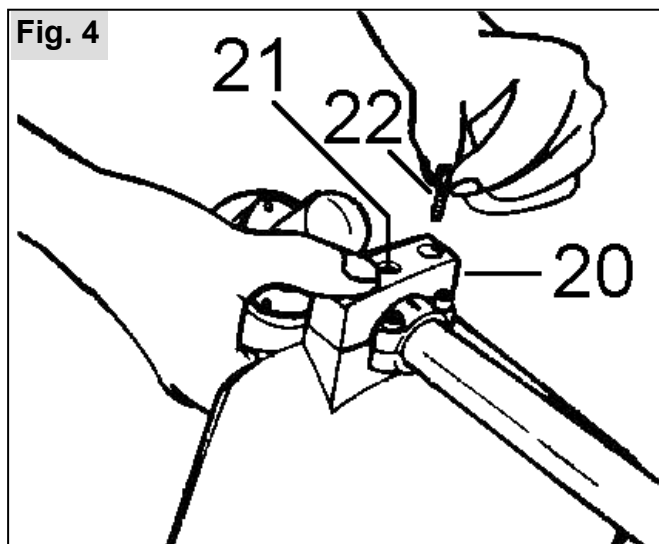


- Install the safety stop (5) pointing to the left (viewed from the operator position).
- Initially tighten the screws only lightly.
- Push the handle, in accordance with your body size, into its optimum position.
- Then tighten the screws.

5.2 Shield installation

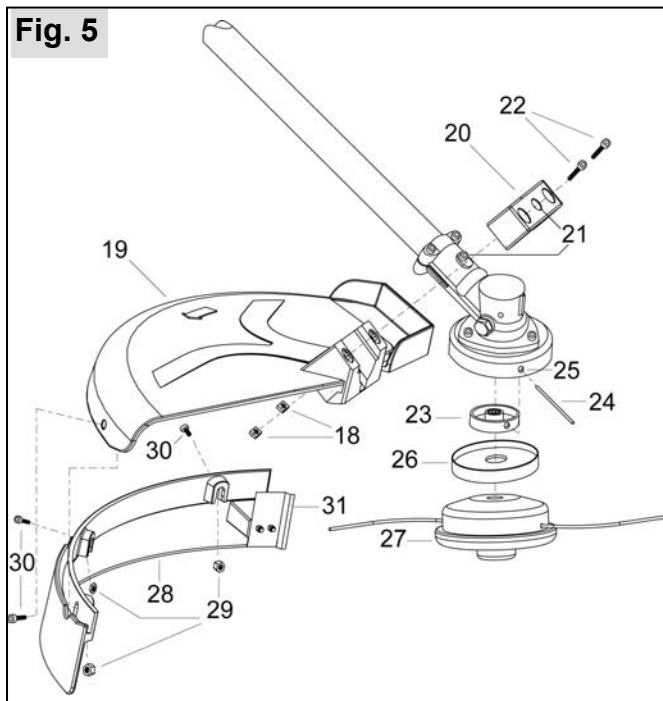


Insert both square nuts (18) from below into the contact protector (19).



Locate the fixing part (20) on the gearbox so, that the gearbox screw locates in the central hole (21). Secure the contact protector with both screws (22) in the outer holes of the fixing part.

5.3 Cutter installation



- Position thrust piece (23) on gear shaf.
- Rotate the gear shaft with the thrust piece, so that the recess for retaining pin (allen wrench)(24) is flush with the recess in winding protection (25) or the gearbox casing.
- Insert the retaining pin to lock the gearbox.
- Rotate the complete nylon head (27) with the additional line winding protection (26) on the gear shaft against the thrust piece. Please note: Left-hand thread! Tighten anti-clockwise against the nylon head.
- Push the protective bar (28) from below onto the shield. For this, insert the hexagon nuts (29) into the protective bar, then fit the protective bar with the three screws (30).

Please Note: When operating with the nylon head, never start the engine without fitted protection bar and line trimming blade (31).

Note: When the nylon line length is adjusted (see chapt. 6.3 "Adjusting the cutting line"), the line trimmer blade (31) will trim the line automatically to the correct length.

5.4 Shoulder strap adjustment

Before commencing work, adjust the shoulder strap and handle according to the operator's body size.

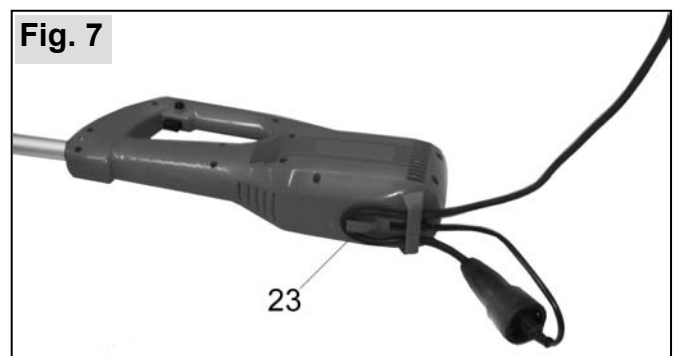
Position the single shoulder strap over your l.h. shoulder, so that, after adjusting the strap length, the strap hook is located at your r.h. hip.

Balance the trimmer with fitted cutting tool so, that the cutter hovers just above the ground, without touching the suspended trimmer with your hands.

If the cutting tool hovers more than 10 cm above the ground, secure the shoulder strap retainer nearer to the motor.

If the cutter lies on the ground, secure the shoulder strap retainer nearer the loop handle.

5.5 Connection to the mains supply



Always secure the extension cable on the cable retainer (23) on the motor housing.

To isolate the equipment, always pull the mains plug from its socket, i.e. never pull on the cable to remove the plug.

6. Using your trimmer

6.1 Scope of Application

Only use trimmers equipped with a nylon head for cutting grass – particularly suitable around obstacles - and for trimming light weeds and wild growth near ground level. The nylon head is particularly suitable for a soft cut, e.g. for clean trimming around trees and posts.

6.2 Correct trimmer operation

Observe the relevant safety instructions when using the trimmer.

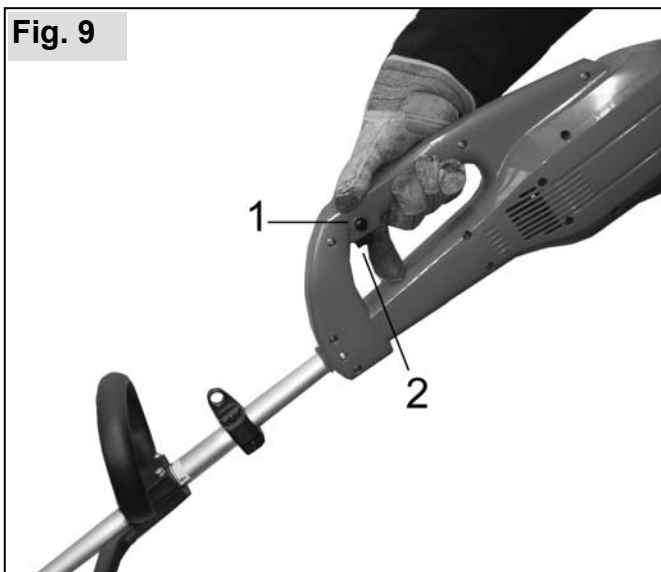
Fig. 8



Carry the power tool on your r.h. side.

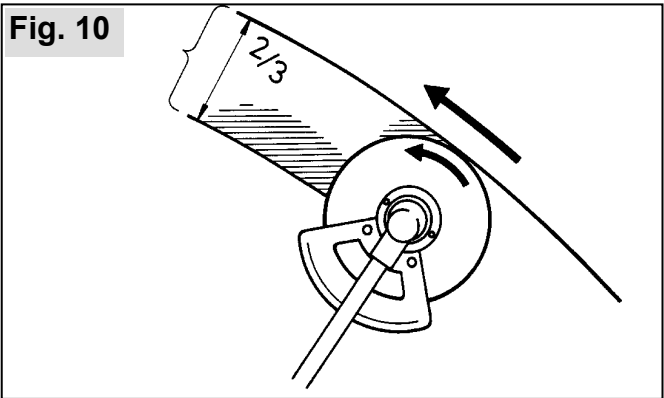
Approach the area to be cleared with the motor switched OFF; then start the motor before dipping the cutter into the working area.

Fig. 9



With your thumb, initially press the locking button (1) and then additionally the ON/OFF switch (2) with your index finger. Then release the locking button again. Release the ON/OFF switch to switch the motor OFF again.

Fig. 10



Dip the tool from the r.h. side 2/3 into the material to be trimmed. Then work the trimmer like a scythe, i.e. by moving forward step by step, whilst cutting from right to left.

Immediately switch OFF the motor, if you notice any unusual vibrations or cuttings have wrapped themselves around the cutting tool or have jammed near the guard. Reduce the cutting tool speed by pushing the cutter down onto the ground, until it has come to a complete standstill. Pull the mains plug from its socket and clear the cutting tool of grass, brush etc. Check the entire power tool for perfect condition.

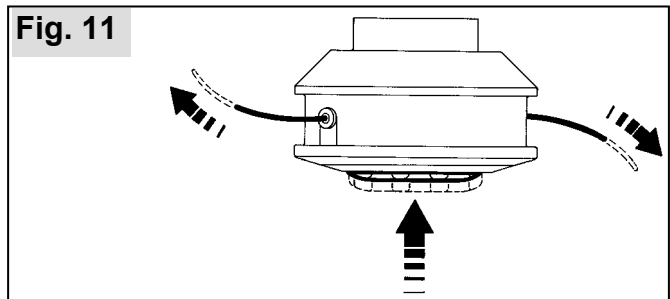
When using the nylon head, always ensure that you operate only with the correct length of line. When the guard is fitted, the line will always be trimmed to the permissible length automatically (a line trimming blade is fitted into the guard bar). There is a high risk of injury, and the motor is subjected to excessive loads leading to a risk of damage, if nylon lines are left too long.

Therefore, when operating with the nylon head, the guard bar must always be fitted, together with the integral line trimming blade, to the standard guard.

6.3 Adjusting the cutting line

When using a semi-automatic nylon head:

Fig. 11



(schematic diagram)

Several times, tip down the equipment with rotating nylon head onto covered ground. This dispenses nylon line in steps. Per release, approx. 30 mm line length will be dispensed. Excess line lengths will be trimmed to size by the line trimming blade.

6.4 Troubleshooting

Fault	Possible cause	Remedy
Motor will not start	<ol style="list-style-type: none"> 1. No power supply 2. Cutting tool jammed/blocked 	<ol style="list-style-type: none"> 1a. Check the mains supply and the extension cable. 1b. Check the mains socket (e. g. different equipment plugged in). 2. Pull the mains plug and clear the cutting tool.
The cutter does not rotate, even though the motor is running.	<ol style="list-style-type: none"> 1. Flexible shaft broken 2. Flexible shaft incorrectly assembled 	<ol style="list-style-type: none"> 1. Contact your local specialist. 2. Contact your local specialist.
Cutting line will not unreel	<ol style="list-style-type: none"> 1. Line spent 2. Line reel jammed, line twisted 	<ol style="list-style-type: none"> 1. Pull the mains plug and load a new cutting line. 2. Pull the mains plug, open the nylon head, rewind the line, clean the reel and re-assemble correctly.

7. Operating and maintenance instructions

7.1 General operating and maintenance instructions

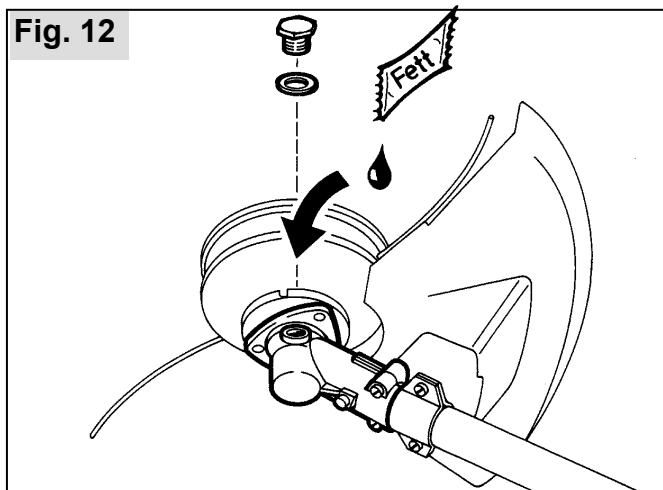
The maintenance and the repair of modern machines as well as their safety-relevant assemblies require qualified specialised training and a workshop equipped with special tools and test equipment. Consequently the manufacturer recommends that all tasks not described in these operating instructions be carried out by a specialised workshop. That specialist has the required training, experience, and equipment at his disposal, to provide you with the most cost-effective solution for such work. He will provide additional help in word and deed.

After a running-in time of app. 5 hours, check all accessible screws and nuts for tightness and retighten them, if required.

Inspect the cutting tool regularly (short intervals) and when you notice unusual vibrations or the cutting area or guard has become jammed/blocked. For this switch OFF the motor, and the cutting tool must be at a complete standstill. Pull the mains plug and remove grass cuttings, brush etc. from the tool base.

7.2 Gearbox lubrication

To lubricate the bevel gear drive, use SOLO "Special gearbox grease" (part no. 0083180). Check the grease level weekly and top up, if required (approx. every 20 - 50 hours).



Remove the filler plug from the side of the gearbox. If no grease is visible inside, top up with grease (top-up quantity approx. 5 – 10 g). Replace and tighten the filler plug.

Please note: Do not overfill with grease, as that may lead to the gearbox overheating. Never fill the gearbox casing to the top with grease.


Tip: If required, top up with a maximum of 5g grease. It is preferable to check more frequently

(e.g. before you start working) whether grease is still visible.

Your SOLO dealer workshop is happy to help you in case of doubt.

7.3 Cleaning

Before cleaning always switch OFF the motor and pull the mains supply plug from its socket.

 Never hose down this power tool.

- Clean cuttings from the cutting area with a hand-held brush.
- Only use a dry or slightly damp cloth to clean the entire machine. Never use solvents or abrasive cleaning agents. Before connecting the equipment to the mains supply, the motor casing and its interior must not be damp.

7.4 Shutdown and storage

Store the equipment in a dry secure location. Open flames and similar should not be nearby. Prevent unauthorised access – particularly by children.

8. Guarantee

The manufacturer guarantees trouble-free quality and will cover the cost of replacing parts which are found to be faulty in material or workmanship within the prescribed guarantee period after the date of purchase. Please note that specific guarantee conditions may vary from country to country. If in doubt, ask your equipment vendor. He is responsible for guarantee matters.

We hope you will understand that we cannot be liable for damage resulting from the following causes:

- Non-compliance with the operating instructions.
- Neglecting essential maintenance and repair work.
- Wear in normal use.
- Obvious overload by continuously exceeding the maximum performance limit of the product.
- Using non-authorized tools.
- Use of force, incorrect treatment, misuse and accidents.
- Damage from excessive heat due to dirt build-up around the cooling fan housing.
- Attempted adjustments and repairs by unqualified persons.
- Use of unsuitable spare parts or third party parts, if these are the cause of the defect.
- Damage caused by using the product in the hire or rental industry.

Normal cleaning, adjustments or maintenance work fall outside the guarantee provisions.

A service centre authorised by the manufacturer must carry out all guarantee work.

9. Parts subject to wear and tear

Various parts are subject to application-specific or normal wear and must be replaced in good time, when required. The following parts are subject to normal wear and are not covered by the manufacturer's guarantee:

- Cutting tools
- Lubricants
- Nylon line

solo[®]



SOLO
Postfach 60 01 52
D 71050 Sindelfingen

Tel. 07031-301-0
Fax 07031-301-130
info@solo-germany.com

SOLO
P.O.Box 60 01 52
D 71050 Sindelfingen
Germany

Phone+49-7031-301-0
Fax +49-7031-301-149
export@solo-germany.com